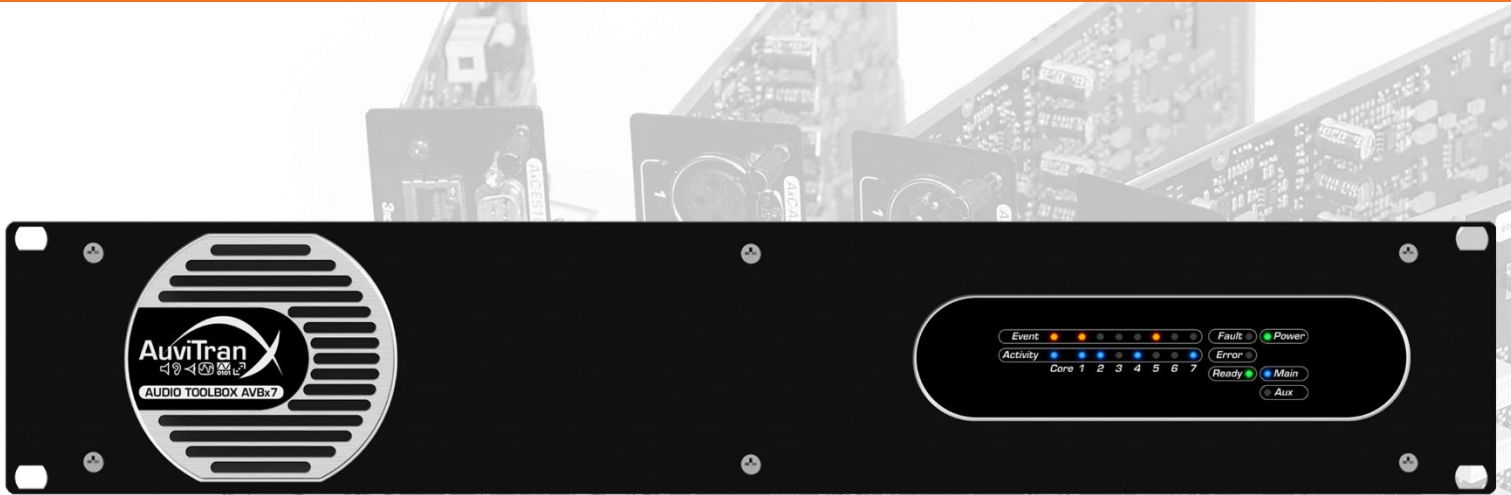




AVBx7 & AVBx3 User's manual



FCC INFORMATION (U.S.A)

This device complies with Part 15 of the FCC rules. Operation is subject to the following two conditions:

1. This device may not cause harmful interference.
2. This device must accept any interference received including interference that may cause undesired operation.

NOTE: This product has been tested and found to comply with the limits for a Class B Digital device, pursuant to Part 15 of the FCC Rules. These limits are designed to provide reasonable protection against harmful interference in a residential environment. This equipment generates, uses and can radiate radio frequency energy and, if not installed and used in accordance with the instructions, may cause harmful interference to the operation of other radio communications. Compliance with FCC regulations does not guarantee that interference will not occur in all installations.

If this product is found to be the source of interference, which can be determined by turning the unit "OFF" and "ON", please try to eliminate the problems by using one of the following measures:

- Relocate either this product or the device that is being affected by the interference.
- Utilize power outlets that are on different branch (circuit breaker or fuse) circuits or install AC line filter(s).
- In the case of radio or TV interference, relocate/reorient the antenna. If the antenna lead-in is 300-Ohm ribbon lead, change the lead-in to co-axial type cable.

If these corrective measures do not produce satisfactory results, please contact the local retailer authorized to distribute this type of product

IMPORTANT: When connecting this product to accessories and/or another product, use only high-quality shielded cables. Cable/s supplied with this product **MUST** be used.

PRECAUTIONS



WARNING



DOUBLE POLE / NEUTRAL FUSING

Always follow the basic precautions list below to avoid the possibility of serious injury or even death from electrical shock, short-circuiting, damages, fire or other hazards.

These precautions include, but are not limited to, the following :

- For your own safety, you must ensure that the equipment is switched off before carrying out any work on it. To prevent electric shock, all power sources shall be disconnected before handling.
- The disconnect devices of the Audio ToolBox AVBx3 unit are the appliance inlet of the main AC power supply and, if connected, the appliance inlet of the auxiliary DC power supply, both on the rear side of the unit. These must be easily reachable.
- The disconnect devices of the Audio ToolBox AVBx7 unit are the appliance inlet of the main AC power supply and, if connected, the appliance inlet on the auxiliary AC power supply, both on the rear side of the unit. These must be easily reachable.
- The achievement of other operations not mentioned in this document is prohibited. Repairs can be performed only by a technician trained and qualified.
- Do not apply excessive pressure on connectors or any other part of the board. Do not touch the metallic sharp parts (pins) of the product.
- This product is electrostatic sensitive; make sure you check this before touching or using it.
- Each connection must be Safety Extra Low Voltage kind (SELV) and must stay inside buildings.
- Always use a power cable with a plug according to the current standards in the country of use
- The product must be powered through a switching mechanism so that the power can be cut. The electrical installation must be equipped with a 16A circuit breaker and a differential. It must be easily accessible. Any electrical connection of the product must be equipped with a device to protect against voltage spikes and short circuits.
- Circuit Overloading - Consideration should be given to the connection of the equipment to the supply circuit and the effect that overloading of the circuits might have on over current protection and supply wiring. Appropriate consideration of equipment nameplate ratings should be used when addressing this concern.
- Reliable Earthing - Reliable earthing of rack-mounted equipment should be maintained. Particular attention should be given to supply connections other than direct connections to the branch circuit (e.g. use of power strips).
- No disposal by fire or crushing. Risk of explosion due to the possible presence of an internal battery
- Eye safety precautions - LEDs may pose optical hazards when in operation. It is not advisable to view directly at operating LEDs as it may be harmful to the eyes. For safety reasons, use appropriate shielding or personal protective equipment.
- FINLAND: "Laite on liitettävä suojamaa-doitus-koskettimilla varustettuun pistorasiaan"
- NORWAY : "Apparatet må tilkoples jordet stikkontakt"
- SWEDEN : "Apparaten skall anslutas till jordat uttag"



Rack Mounting

This product is designed to be rack mounted. Be sure to observe following installation rules of this kind of equipment:

- Do not block the vents. This device has ventilation holes on both sides to prevent the internal temperature from becoming too high. Inadequate ventilation can result in overheating, possibly causing damage to the device(s), or even fire.
- Elevated Operating Ambient - If installed in a closed or multi-unit rack assembly, the operating ambient temperature of the rack environment may be greater than room ambient. Therefore, consideration should be given to installing the equipment in an environment compatible with the maximum ambient temperature specified by the manufacturer.
- Reduced Air Flow - Installation of the equipment in a rack should be such that the amount of air flow required for safe operation of the equipment is not compromised.
- In some cases, to be sure to ensure sufficient airflow, leave the rear and the front of the rack open, leave sufficient space (>5cm) on each side of the rack, and leave space above rack (>1cm).
- Or it can be better to have appropriate fan kit in the multi-unit rack:
- Mechanical Loading - Mounting of the equipment in the rack should be such that a hazardous condition is not achieved due to uneven mechanical loading.
- As Toolbox can have free slots, these slots must always have a cover to close correctly the unit (protection against fire)

LIMITATION OF LIABILITY

In no case and in no way, the provider of this Product (AuviTran, the distributor or reseller, or any other party acting as provider) shall be liable and sued to court for damage, either direct or indirect, caused by and to the user of the board and which would result from an improper installation or misuse of the Product. "Misuse" and "improper installation" mean installation and use not corresponding to the instructions of this manual.

Please note that graphics given in this manual (drawings and schemes) are only examples and shall not be taken for a real vision of your own equipment configuration.

AuviTran is constantly working on the improvement of the products. For that purpose, the products functionalities are bound to change and be upgraded without notice. Please read carefully the User's manual as the new functionalities will be described therein.

TRADEMARKS

All trademarks listed in this manual are the exclusive property of their respective owners. They are respected "as is" by AuviTran. Any use of these trademarks must receive prior approval of their respective owners. For any question, please contact the trademark's owner directly.

COPYRIGHT

The information in this manual is protected by copyright. Therefore, reproduction, distribution of whole or part of this manual is strictly forbidden without the prior written agreement of AuviTran.

AUVITRAN WEBSITE/MORE INFORMATION

Please visit our website for any question of further inquiry concerning our product range. Updates will also be posted when available.

<http://www.auvitran.com>

PACKAGE CONTAINS

- 1 Audio ToolBox Rack Unit
- 1 Power Cord in AVBx3/SBM+r and AVBx3/ISM+r
- 2 Power Cords in AVBx7/SB+r and AVBx7/IS+r

TABLE OF CONTENTS

FCC INFORMATION (U.S.A)	2
PRECAUTIONS	3
LIMITATION OF LIABILITY	4
TRADEMARKS	4
COPYRIGHT	4
AUVITRAN WEBSITE/MORE INFORMATION	4
PACKAGE CONTAINS	4
1 WELCOME	6
2 OVERVIEW	6
3 KEY FEATURES	6
4 AUDIO TOOLBOX RANGE AND OPTIONAL AXC-CARDS	7
5 TECHNICAL SPECIFICATIONS	8
6 GPIO INTERFACE	9
6.1 GPIO Connection for “GPI” mode.....	9
6.2 GPIO Connection for “GPO” mode.....	9
6.3 GPIO Connection for “Fader” mode.....	10
7 REDUNDANT PSU MANAGEMENT ON AUDIO TOOLBOX	10
8 SLOT AND EXTENSION AXC-CARDS	11
8.1 AxC-Card Insertion.....	11
8.2 AxC-Card Extraction.....	12
9 AUDIO TOOLBOX DISPLAY PANEL	13
9.1 Display panels information for AVBx7 & AVBx3	13
9.2 Led information on display panel of AVBx7 & AVBx3	13
10 CONFIGURATION THROUGH AVS-MONITOR	15
10.1 Main panel.....	15
10.1.1 WCLK-IN 75 status / GPIO display status	15
10.1.2 Clock Status.....	15
10.1.3 Setup access.....	15
10.1.4 Additional information.....	15
10.2 Rack setup	15
10.2.1 Clock tab.....	16
10.2.2 Setup tab	16
10.2.3 Status tab.....	17
10.3 Slot setup	17
11 INTERNAL MATRIX ROUTING	18
12 FREQUENTLY ASKED QUESTIONS	19
13 NOTES	20

1 WELCOME

Thank you for purchasing AuviTran Audio Toolbox Rack Unit. We hope you will enjoy using it.

You will find herewith the necessary instructions to use your product. Please read them carefully as misuse of this device might cause serious damage to you and your environment.

2 OVERVIEW

AuviTran Audio ToolBox is a modular audio platform giving access to a large variety of professional audio networks & audio interfaces.

You can build the configuration you need with three slots 1U-19" rack or seven slots 2U-19" rack units and 20 audio interfaces cards:

- Dante interface (can control Audio ToolBox unit)
- AVB/Milan interface (can control Audio ToolBox unit)
- Madi interfaces (can control Audio ToolBox unit)
- ASRC/DSP interface (can control Audio ToolBox unit)
- EtherSound interface and ASIO interface (can control Audio ToolBox unit)
- CobraNet and ADAT interface
- High quality analog input or output interfaces
- High quality microphone preamp inputs interfaces
- AES/EBU inputs/outputs interfaces
- GPIO interface

Note: Toolbox control is allowed if at least one card allowing control is inserted, like Dante, AVB, Madi, ASRC/ADSP or EtherSound card

AuviTran Audio ToolBox is available in installation mode (Display in front and all connectors in the back) or as stage-box for live applications (Display, Network and Audio connectors in front, Power supply and GPIO on the back).

3 KEY FEATURES

- AuviTran Audio ToolBox platform 19" rack (1U or 2U) chassis, providing up to seven slots for AuviTran AxC interface cards, with an audio backplane connecting all inputs/outputs (physical and network)
- Vast choice of audio interface cards
- 4 smart configurable GPIO for powerful interactions with security application. They can also be set individually as ADC Input for local/remote fader or level control.

If ToolBox contains at least one control card:

- Remote management with AVS-Monitor software through the Dante Network using AxC-Dante or EtherSound network using AxC-ES100 or Through IP network on dedicated remote RJ45 connector for AxC-MADI, AxC-AVB, AxC-ADSP.
- Dedicated control page for monitoring and controlling all the chassis and inserted cards parameters.

4 AUDIO TOOLBOX RANGE AND OPTIONAL AXC-CARDS

Here is the full range of available AuviTran Audio ToolBox

AVBx7/IS+r Front face: Display only



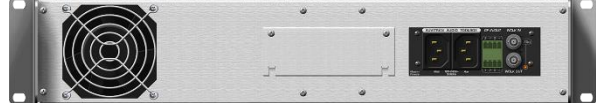
AVBx7/IS+r Rear face: AxC-Cards in slots, PSU, GPIO, BNC



AVBx7/SB+r Front face: Display and AxC-Cards in slots



AVBx7/SB+r Rear face: PSU connectors, GPIO, BNC



AVBx3/ISM+r Front face: Display only



AVBx3/ISM+r Rear face: AxC-Cards in slots, PSU, GPIO, BNC



AVBx3/SBM+r Front face: Display and AxC-Cards in slots



AVBx3/SBM+r Rear face: PSU connectors, GPIO, BNC



Here is a list of available optional cards for AuviTran Audio Toolbox:

AxC-DANTE



AxC-AVB



AxC-CN32io



AxC-ES100



AxC-SWD5G



AxC-ADSP



AxC-MADI/SFP



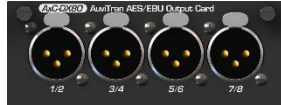
AxC-MADI



AxC-DX8i



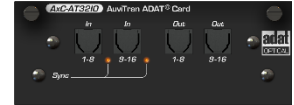
AxC-DX8o



AxC-DS32io



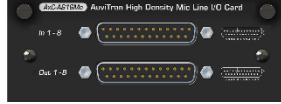
AxC-AT32io



AxC-AS16M



AxC-AS16Mo



AxC-AS16o



AxC-AE8io



AxC-AX4M



AxC-AX4i



AxC-AX4o



AxC-GP16io



5 TECHNICAL SPECIFICATIONS

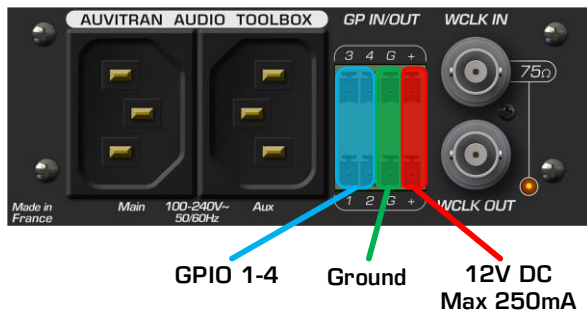
AVBx3/ISM+r or /SBM+r: 3 slots AuviTran Audio ToolBox 1U x 19" rack	
Size	483 x 253x 44 mm (19" rack, 1 U height) Three slots available for control and audio inputs/outputs
Main Power Supply	100-240 VAC – 50/60 Hz – 1.8 A
Auxiliary Power Supply	Connector for external VDC 12V - 4A
Storage: Temp/Humidity	-5°C to 70°C/0% to 95% (non-condensing)
Operating: Temp/Humidity	0 °C to 40°C/5% to 90% (non-condensing)
AVBx3/ISM+r front panel	Led Display on right with: <ul style="list-style-type: none"> - Event/Activity for core and slot 1-3 - Fault/Error/Ready for events - Power/Main/Aux for PSU status
AVBx3/ISM+r rear panel	3 slots with backplane bus for inserting AxC cards Power/GPIO/BNC on bottom left with <ul style="list-style-type: none"> - 1x IEC power inlet for main AC power supply - 1x 2-poles Euroblock connector for external Auxiliary 12V DC power supply - 1x 6-poles Euroblock connector for GPIO - 2x BNC connectors for Word clock Output and Input (Zin=1KΩ or 75Ω)
AVBx3/SBM+r front panel	3 slots with backplane bus for inserting AxC cards on right Led Display on left with: <ul style="list-style-type: none"> - Event/Activity for core and slot 1-3 - Fault/Error/Ready for events - Power/Main/Aux for PSU status
AVBx3/SBM+r rear panel	Power/GPIO/BNC part on right with <ul style="list-style-type: none"> - 1x IEC power inlet for main AC power supply - 1x 2-poles Euroblock connector for external Auxiliary 12V DC power supply - 1x 6-poles Euroblock connector for GPIO - 2x BNC connectors for Word clock Output and Input (Zin=1KΩ or 75Ω)
GPIO	Connector Euroblock 6 poles with <ul style="list-style-type: none"> - GND and Power DC Output 12V (250mA max) - 4 GPIO configurable individually as GPO or GPI <ul style="list-style-type: none"> ▪ GPI set as ADC level input (8bits 0-12V) for fader or level trigger controls ▪ GPO when active, force 0V (GND) on the output (support 60Vmax/500mA max)

AVBx7/IS+r or /SB+r: 7 slots AuviTran Audio ToolBox 2U x 19" rack	
Size	483 x 253x 88 mm (19" rack, 2 U height) Seven slots available for control and audio inputs/outputs
Main Power Supply	100-240 VAC - 50/60 Hz - 2.3 A
Auxiliary Power Supply	100-240 VAC - 50/60 Hz - 2.3 A
Storage: Temp/Humidity	-5°C to 70°C/0% to 95% (non-condensing)
Operating: Temp/Humidity	0 °C to 40°C/5% to 90% (non-condensing)
AVBx7/IS+r front panel	Fan on left, Led Display on right with <ul style="list-style-type: none"> - Event/Activity for core and slot 1-7 - Fault/Error/Ready for events - Power/Main/Aux for PSU status
AVBx7/IS+r rear panel	7 slots with backplane for inserting AxC cards, Power/GPIO/BNC on bottom left with: <ul style="list-style-type: none"> - 2x IEC power inlet for main AC power supply - 2x 4-poles Euroblock connector for GPIO - 2x BNC connectors for Word clock Output and Input (Zin=1KΩ or 75Ω)
AVBx7/SB+r front panel	7 slots with backplane bus for inserting AxC cards Led Display on bottom left with <ul style="list-style-type: none"> - Event/Activity for core and slot 1-7 - Fault/Error/Ready for events - Power/Main/Aux for PSU status
AVBx7/SB+r rear panel	Fan on left, Power/GPIO/BNC part on right with: <ul style="list-style-type: none"> - 2x IEC power inlet for main AC power supply - 2x 4-poles Euroblock connector for GPIO - 2x BNC connectors for Word clock Output and Input (Zin=1KΩ or 75Ω)
GPIO	Connector Euroblock 6 poles with <ul style="list-style-type: none"> - GND and Power DC Output 12V (250mA max) - 4 GPIO configurable individually as GPO or GPI <ul style="list-style-type: none"> ▪ GPI can be set as ADC level input (8 bits 0-12V) for fader control or level trigger detections from remote software ▪ GPO when active, force 0V (GND) on the output (support 60Vmax/500mA max)

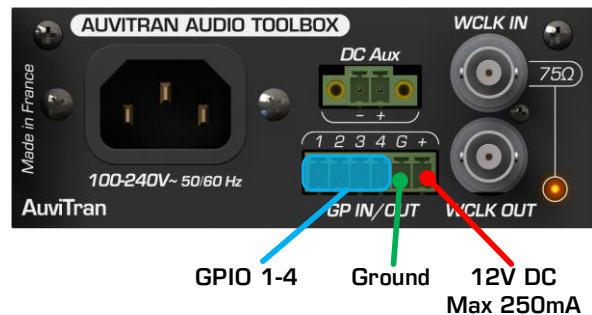
6 GPIO INTERFACE

The Audio ToolBox contains 4 GPIO (General Purpose Input/Output) configurable as GPI or GPO. GPIO are available on Euroblock connectors close to the Power Inlet Connector: 1x 6-poles on AVBx3 and 2x 4-poles on AVBx7. Each connection on GPIO must be Safety Extra Low Voltage kind (SELV).

GPIO on AVBx7/SB+r and AVBx7/SB+r

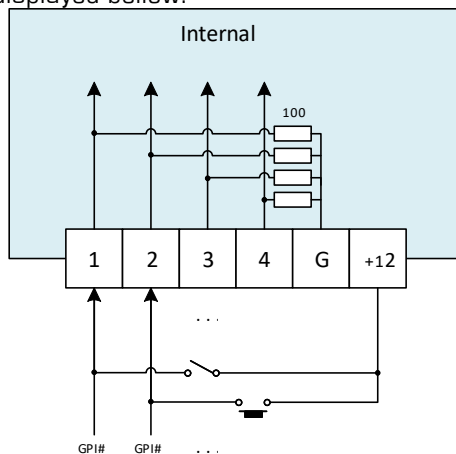


GPIO on AVBx3/ISM+r and AVBx3/SBM+r



6.1 GPIO Connection for "GPI" mode

A GPIO can be configurable as a GPI via the software interface. In this case, the GPIO must be wired as displayed below:

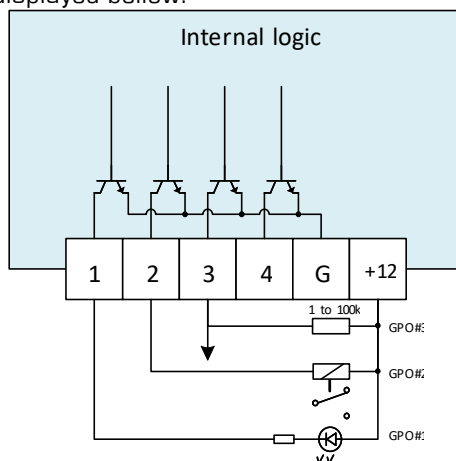


Notes:

- Each GPI is weakly pulled down to 100kΩ
- Input range is between 0 -> +12V, referenced to device ground.
- Input a level < 1.8V for a logic '0',
- Input a level > 2.4V for a logic '1'.
- Devices like switches or push/buttons can be plugged directly between +12V and GPIO.

6.2 GPIO Connection for "GPO" mode

A GPIO can be configurable as a GPO via the software interface. In this case, the GPIO must be wired as displayed below:

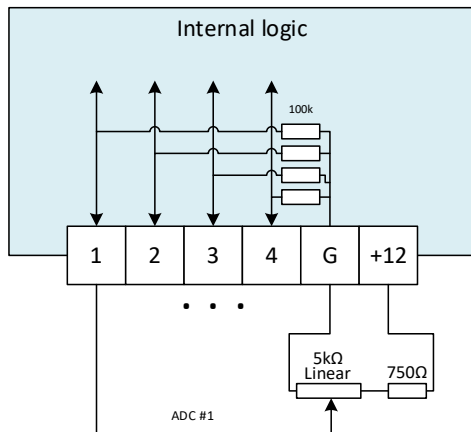


Notes:

- GPOs are Open-Collector type and must be pulled high to have a '1' logic level. Otherwise, pin will be floating (High-Z).
- It can be done via +12V pin, or any external power supply referenced to device ground (+60V max). Max current through each pin is 500mA.
- Devices like relays or LEDs can be plugged directly between +12V and GPOx.

6.3 GPIO Connection for “Fader” mode

A GPIO can be configurable as a Fader via the software interface. In this case, the GPIO must be wired as displayed bellow:



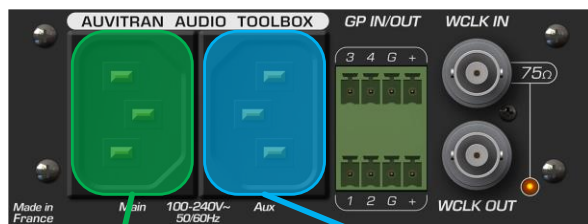
Notes:

- Each Fader/ADC is weakly pulled down to 100KΩ.
- Each Fader/ADC is linear to its input voltage in a range of is 0 to +10V referenced to device ground.
- 0V referees to « minimum » value
- +10V referees to « maximum » value.
- VCC provides a voltage between 11.5V and 12V
- It is possible to connect GPIO in fader mode using for instance a linear potentiometer of 5KΩ plugged after a resistance of ~ 750Ω between +12V and Ground as shown on left diagram.

7 REDUNDANT PSU MANAGEMENT ON AUDIO TOOLBOX

All AVBx7 racks have one *Main* AC input and one *Auxiliary* AC input for redundancy. For a single AC connection, *Main* input must be used.

Main/Aux on AVBx7/SB+r & AVBx7/SB+r

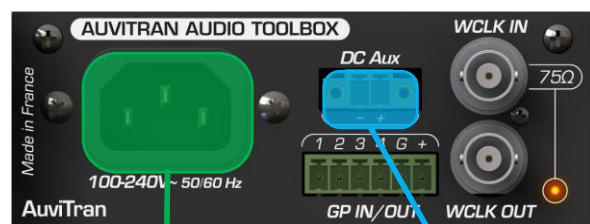


Main IEC AC input for 1st internal PSU

Main IEC AC input for 2nd internal PSU

AVBx7/IS+r, AVBx7/SB+r has 2x IEC AC inputs (Main/Aux) connected to 2 internal AC/DC PSU on which 2 power supplies can be connected to improve the reliability of the system. When both power supply are plugged, Audio ToolBox compare them, and always choose the best. In case of failure of one PSU (or associated electrical network), Audio ToolBox will continue to work

Main/Aux on AVBx3/ISM+r & AVBx3/SBM+r



Main IEC AC input for internal PSU

Auxiliary 12V DC input for optional external PSU 11.4V - 13.4V / 4A max

AVBx3/ISM+r, AVBx3/SBM+r has an IEC AC input connected to an internal AC/DC PSU and an auxiliary DC input on which external source of 12V DC PSU can be connected to improve the reliability of the system. When both power supply are plugged, Audio ToolBox compare them, and always choose the best. In case of failure of one PSU (or associated electrical network), Audio ToolBox will continue to work.

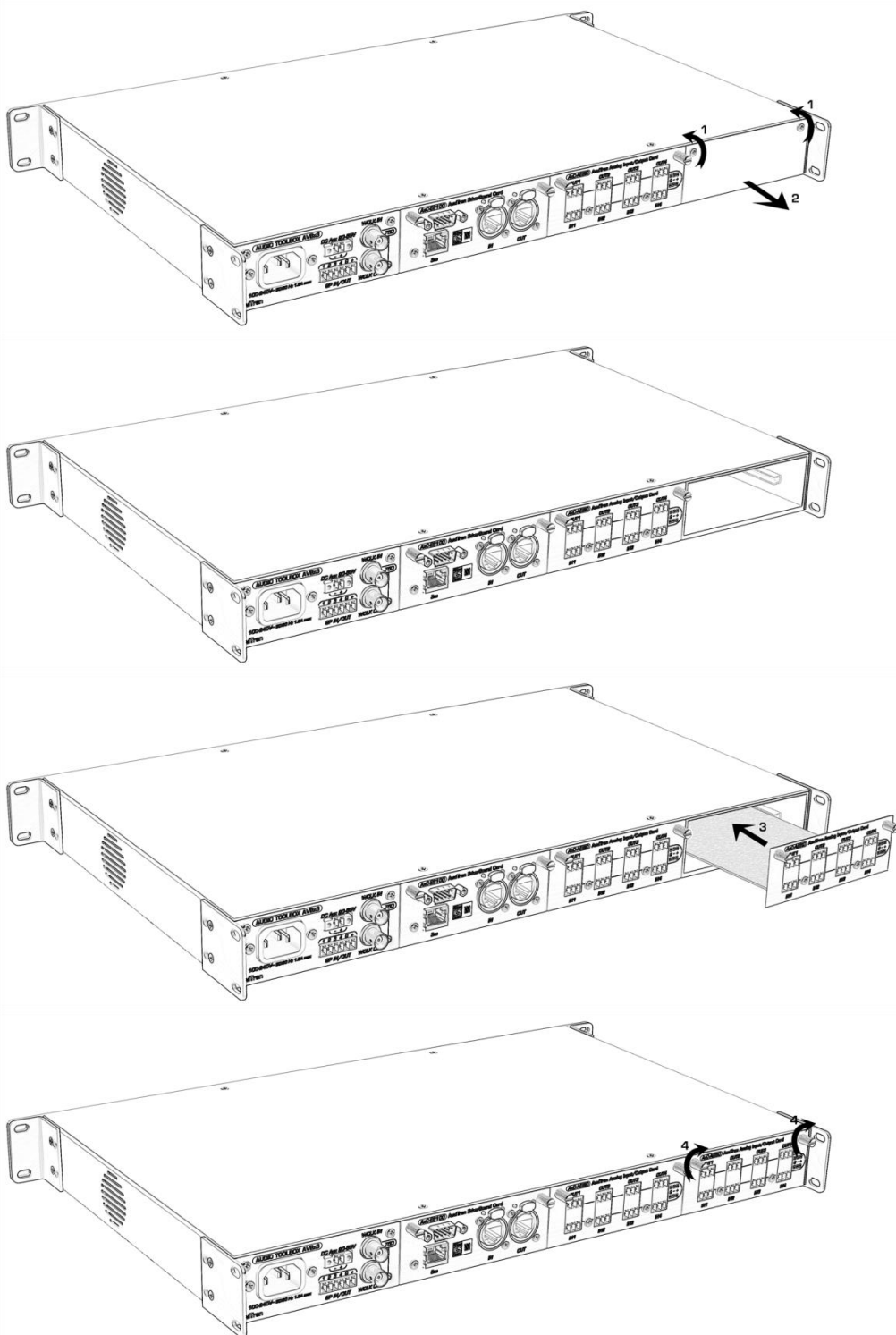
Warning: Do not connect a battery directly on this input. If external power supply is used, it must have protection against reverse current.

8 SLOT AND EXTENSION AXC-CARDS

8.1 AxC-Card Insertion



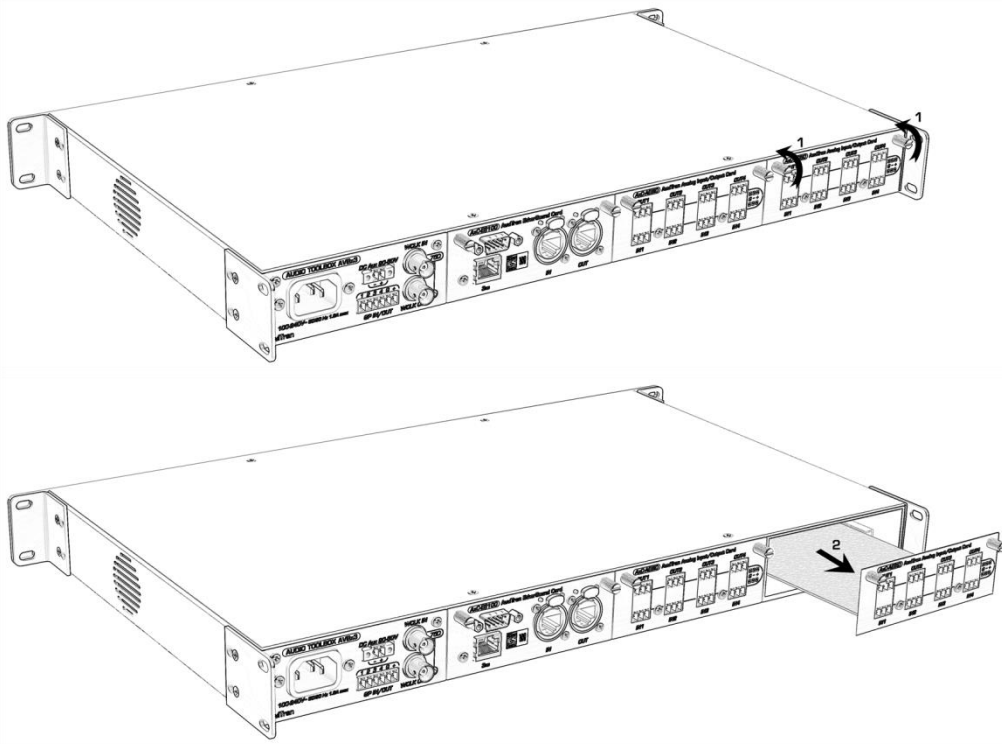
The cards are electrostatic sensitive; make sure you check this before touching or handling them



8.2 AxC-Card Extraction



The cards are electrostatic sensitive; make sure you check this before touching or handling them



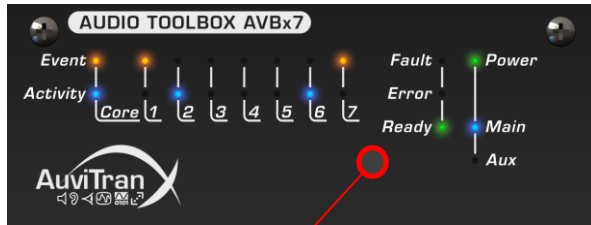
9 AUDIO TOOLBOX DISPLAY PANEL

All AuviTran Audio Toolbox have a display panel used to provide quick information on the device and AxC-cards status without the need to launch any software.

Display panel is available both in StageBox and Installation models. Information provided are the same but depend on of the number of slots. The position of display panel is on Right on Installation models and on left bottom for the StageBox models

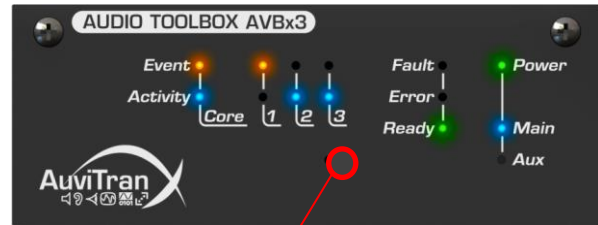
9.1 Display panels information for AVBx7 & AVBx3

Display panel on AVBx7



Reset Button on AVBx7

Display panel on AVBx3



Reset Button on AVBx3

9.2 Led information on display panel of AVBx7 & AVBx3

LED activity meaning:

- Event reflects core or slot event: OFF no event
BLINK or ON when event on core/Card in slot
- Activity reflects core or slot activity: OFF no card in slot or card not working
BLINK or ON when activity on core/Card
- Fault: Default found on ToolBox
- Error: Malfunction detected when running
- Ready: ToolBox is ready to be used
- Power: Power supply is On
- Main: Main power supply present
- Aux: Auxiliary power supply present

	Led Activity Blinking	Led Activity On	Led Event Blinking	Led Event On
AxC-DANTE	Card running		Dante core error if no activity	At least a link connected but Clock error
AxC-AVB			Else No connection	
AxC-CN32io	Card running but Link Down	Link Up	Change on Link	Card not synch
AxC-ES100				
AxC-SWD5G				
AxC-ADSP	Card running but No audio signal	Audio signal on at least one input or output	Lock but not synch on at least one input	
AxC-MADI/SFP			At least one input is Lock but not synch	
AxC-MADI			Clip detected on at least on input or output	
AxC-DX8i				
AxC-DX8o				
AxC-DS32io				
AxC-AT32io				
AxC-AS16M				
AxC-AS16Mo				
AxC-AS16o				
AxC-AE8io				
AxC-AX4M				
AxC-AX4i				
AxC-AX4o				
AxC-GP16io	Card running		Card error	

Reset Button

A reset button is also available to be used with a paper clip (see the location on the pictures above).

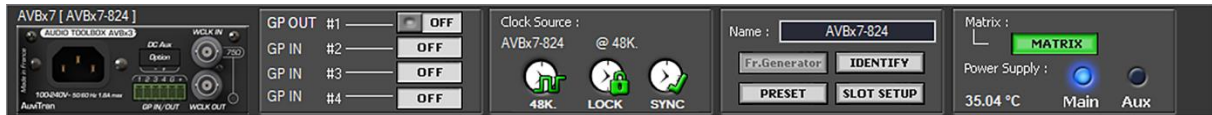
Two functions can be obtained when pressing this button:

- Reset ToolBox: Press button for two seconds. Device will restart as if powered cycled.
- Revert to Factory default: When AVBx3 or AVBx7 is Running (i.e. Power On for at least 30"), press button and continue pressing button until all panel LED are lighted. Both ToolBox and all slots will then revert to their factory default values.

Note: Use "Revert to Factory" function with care as it will reset all ToolBox and slot parameters and might lead to unworking (clock / patch) behavior with the default settings.

10 CONFIGURATION THROUGH AVS-MONITOR

10.1 Main panel



Main panel is divided into 4 parts for feedback and setup functions:

- WCLK-IN 75Ω status / GPIO display status,
- Clock source and status
- ToolBox name, Identify function, access to rack and/or slot setup
- Matrix and Power Supply status

10.1.1 WCLK-IN 75 status / GPIO display status

This part presents:

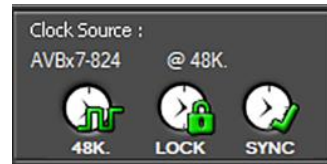
- 75Ω Status
- GPI Status (ON/OFF or progress bar if set to ADC Mode display, read only)
- GPO Status (ON/OFF user switchable)



10.1.2 Clock Status

This part presents:

- Current clock source selected
- Current clock status
 - Lock/Unlock
 - Sync/No Sync



10.1.3 Setup access

This part presents:

- Rack name stored
- Identify function access, rack LEDs will blink during few seconds when pressed
- Preset access
- Slot setup access



10.1.4 Additional information

This part presents:

- Matrix button gives access to Audio ToolBox Matrix window
- Temperature of the
- Both power supply status

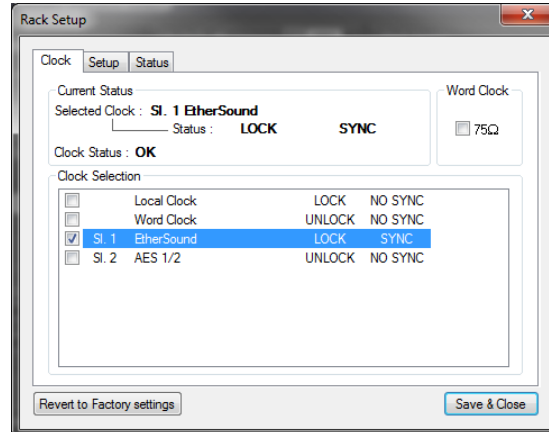


10.2 Rack setup

Rack setup window will present several tabs to set/view all available parameters for ToolBox. The "Revert to Factory" button allows reverting to factory default parameters for both ToolBox and all slots. So use this

function with care as it will reset all ToolBox and slot parameters, and might lead to strange behavior on the network used.

10.2.1 Clock tab



Clock tab

Clock tab allows user to:

- View current selected clock and status
- Set the 75 Ω option for Word clock IN
- Select the clock used, with current status for each clock.

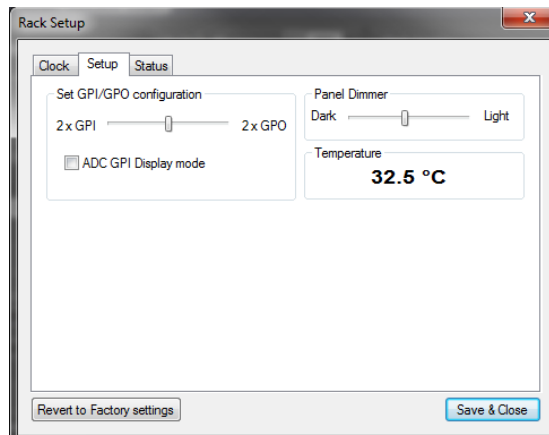
Clock source can be:

- Local 48kHz clock from the ToolBox
- Word Clock IN
- Clock input from a slot

Clock status can be:

- LOCK: This indicates that a clock synchronized with the selected source is being input.
- UNLOCK: A valid clock is not being input.
- SYNC: A valid clock is being input and is synchronized with the selected clock source.
- NO SYNC: A valid clock is being input but is not synchronized with the selected clock source.

10.2.2 Setup tab



Setup tab

Rack setup tab allows user to set:

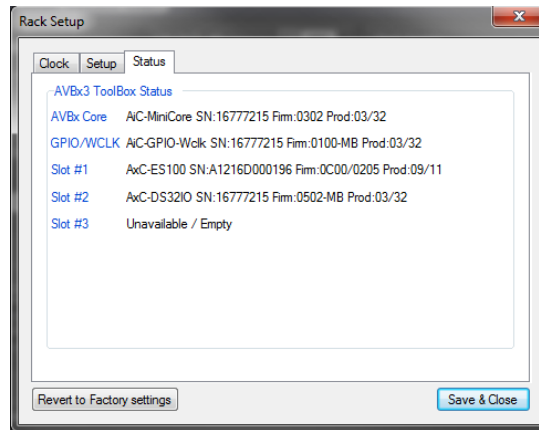
- Number of GPI and GPO
- Display GPI as ADC meter
- Panel and LED dimmer for both ToolBox and slots

Temperature is also displayed here in real time.

Note: GPO comes first, GPI follows.

Display in AVS-Monitor is automatically adapted from the current configuration.

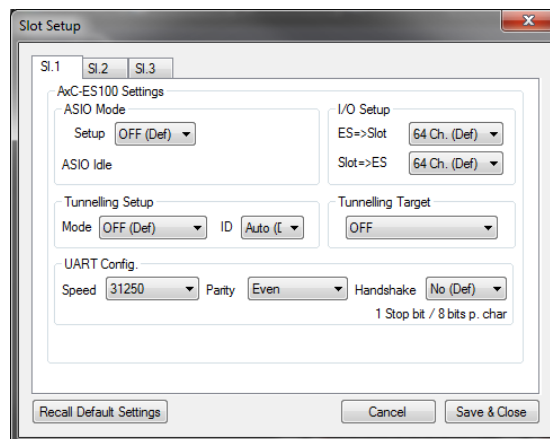
10.2.3 Status tab



Status tab

The status tab presents a summary of all firmware versions present in the ToolBox. AVBx Core and GPIO/WCLK are toolbox dependent, while Slot #n presents firmware version of currently inserted card into slot.

10.3 Slot setup



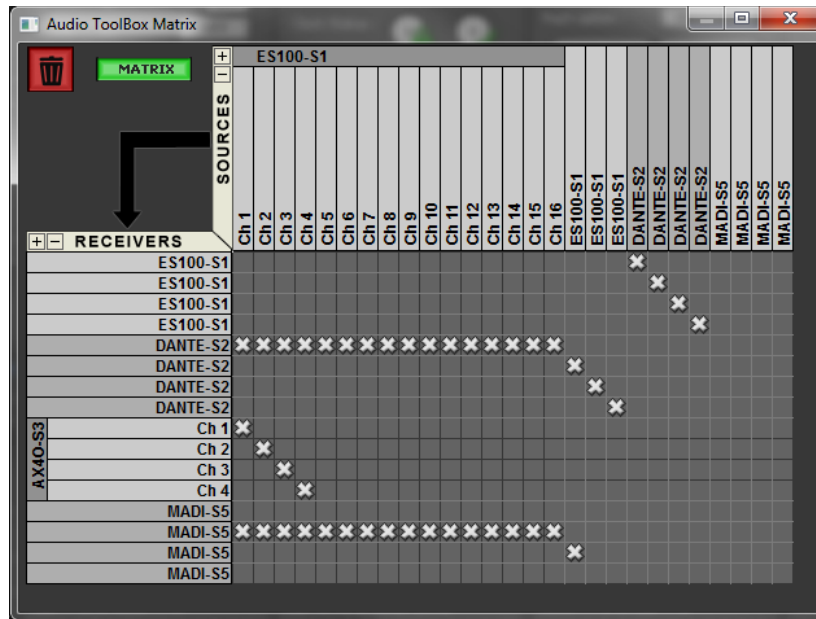
Slot setup window

Thanks to the Slot setup window, user is able to set, when available, each slot parameters. One tab is available for each slot and is automatically adjusted to the slot card present.

11 INTERNAL MATRIX ROUTING

After pressing on the matrix button, the user can set the matrix routing using the dedicated matrix window.

By clicking on the patch, a source can be assigned or unassigned to a receiver.



AVBx7 matrix window

Through this window, user can view or set ToolBox internal matrix. It works like the NetPatch page.

In addition to manually set patch between sources and receivers, two functions are available:

- Fully erase current matrix
- Change matrix mode

12 FREQUENTLY ASKED QUESTIONS

- **Where can I download AVS-Monitor?**
 - ⇒ AVS-Monitor can be download on Auvitrان web site using the menu "**Download/Software**" on the following page: <https://www.auvitran.com/software-download/>
- **Is using AVS-Monitor mandatory?**
 - ⇒ AVS-Monitor is used to configure the ToolBox. Once done, if no real time monitoring is necessary, you can use the Auvitrان Audio ToolBox without AVS-Monitor.
- **Why do I have to reconfigure my Auvitrان Audio ToolBox at each startup?**
 - ⇒ When settings were done on a setting windows of AVS-Monitor (Rack setup, Matrix, Slot setup,...) remember to press "**Save and Close**" button to store your configuration into the device rather. Closing the windows or pressing the "**Cancel**" button.
 - ⇒ It is possible to force a Save by using the menu "**File/Write configuration to Flash**". That way, your Auvitrان Audio Toolbox will always start up with your configuration.
- **How can I update the Auvitrان Audio ToolBox?**
 - ⇒ You can check firmware versions in use or update firmware of both your Audio ToolBox and the AxC cards through AVS-Monitor using the menu "**Control/Launch firmware manager**"
 - ⇒ The last version of AVS-Monitor always check the firmware of connected devices at start by default and display a warning if it was not the case

